



WIXON BATHWORKS



PRODUCT MADE IN USA

COLOR: WHITE

FEATURES

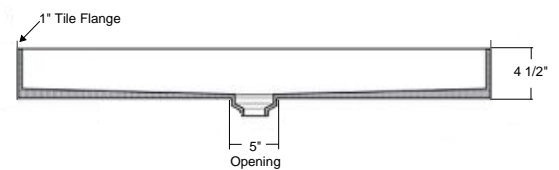
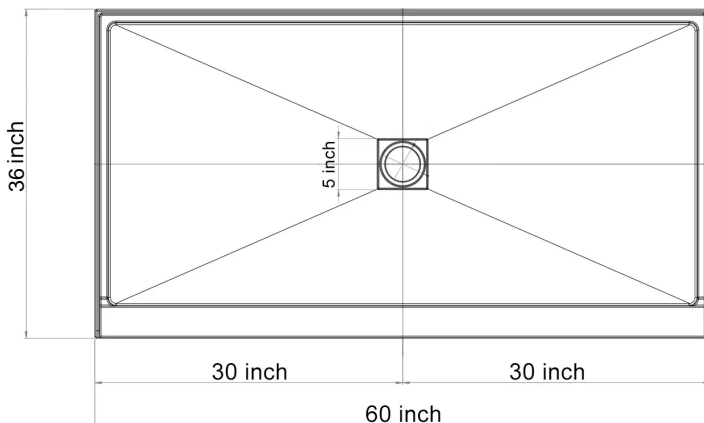
Center Drain
Nonskid Base
For Use With Kit
Or Ceramic Tile

MATERIALS

Durable Acrylic
Shiny Smooth Surface
Fiber-Reinforced Polymer
Backing

CODES/ STANDARDS

ASTM E162
On-Site Support
National Distribution



WIXON
BATHWORKS

orders@wixonbathworks.org
872 Boatcallie Road
Bryan TX 77808
(979) 383-2252

60" x 36" Shower Pan
WIX36SP-01